

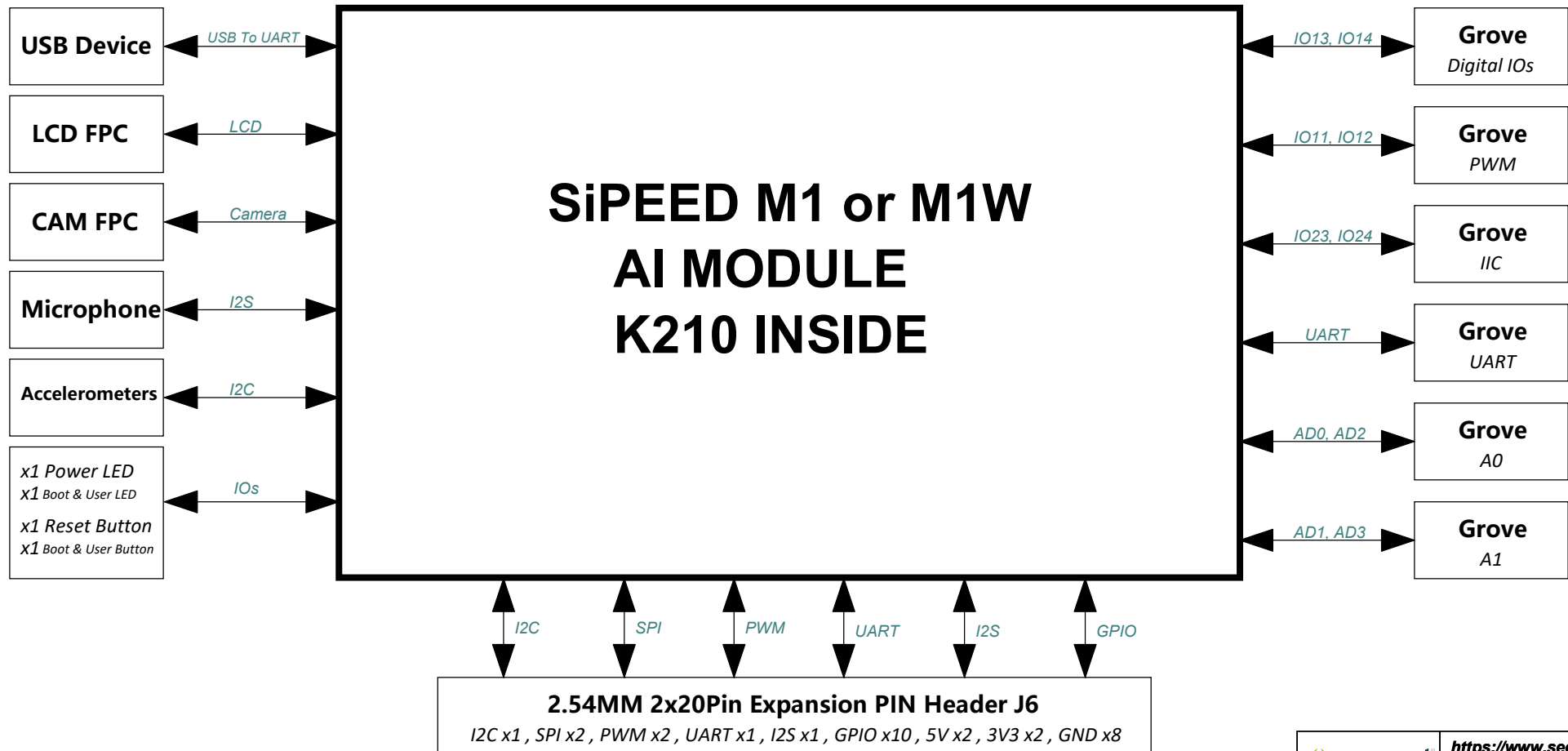
Schematic: Grove AI HAT for Edge Computing

Revision History

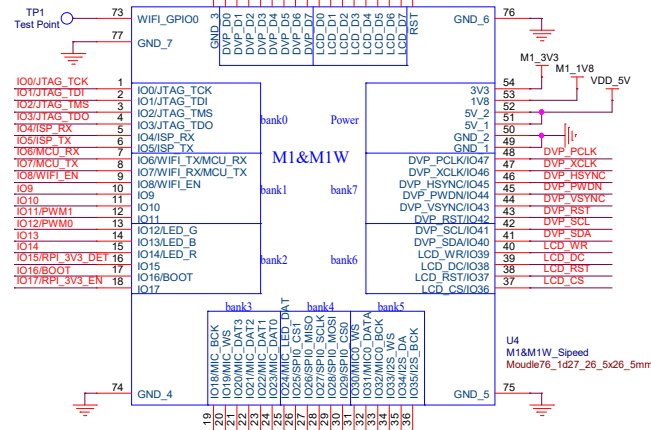
SHEET	SHEET NAME
01	Revision/Blcok Diagram
02	M1/CAM/LCD/AD/Grvoe/MIC/ACC

DATE	REVISION	DESCRIPTION
2019/04/26	Grove AI HAT for Edge Computing_v1.0_SCH_190426	Initial Release

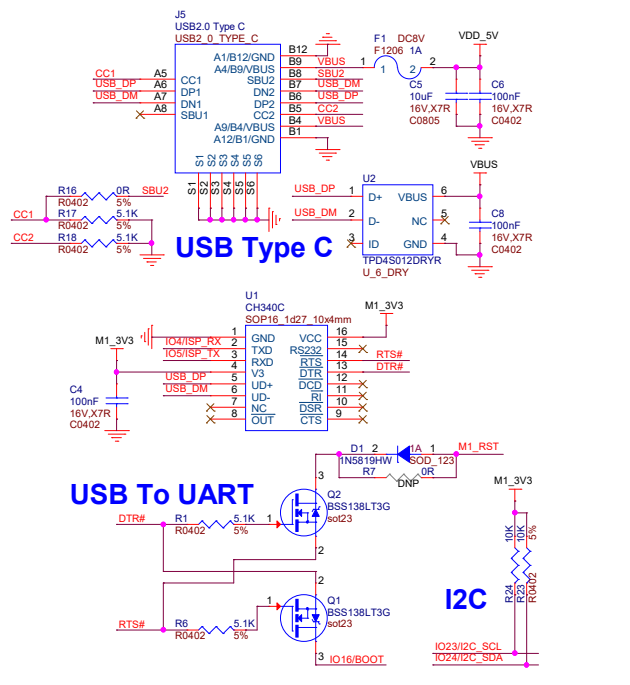
Grove AI HAT for Edge Computing Blcok Diagram



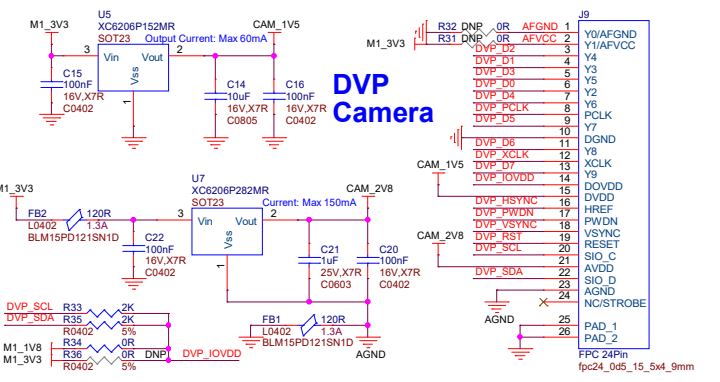
M1 Module



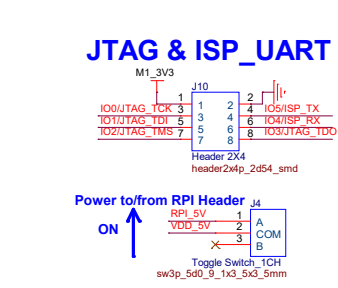
USB Type C



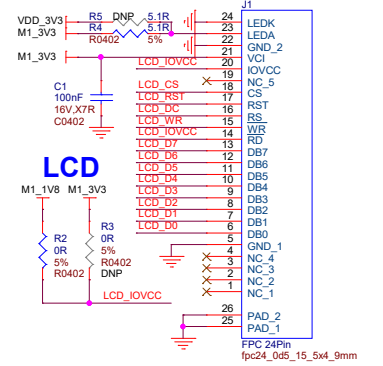
DVP Camera



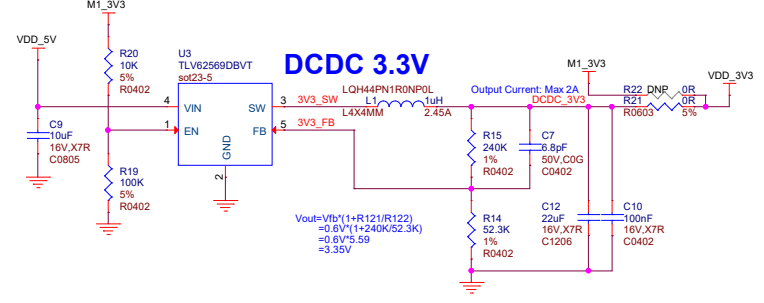
JTAG & ISP_UART



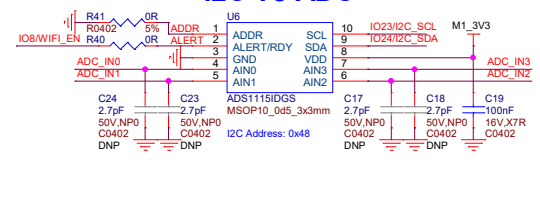
LCD



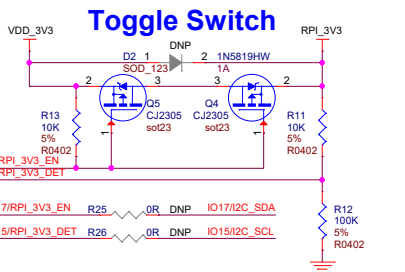
DCDC 3.3V



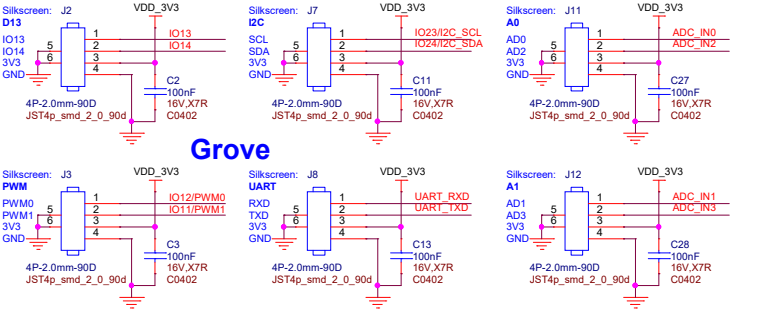
I2C To ADC



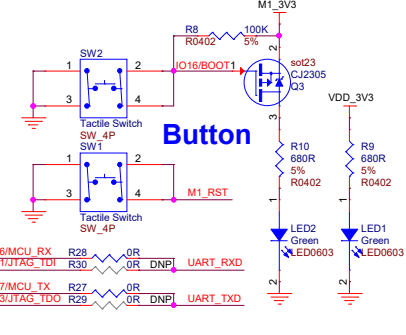
Toggle Switch



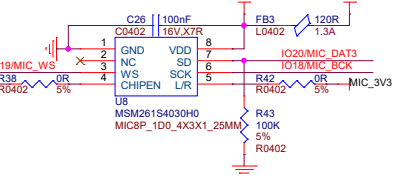
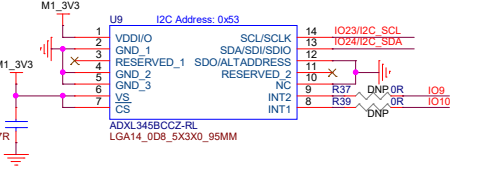
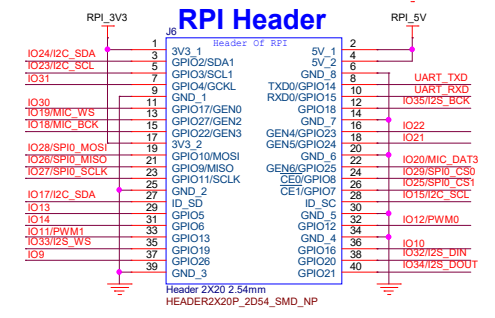
Grove



Button



RPI Header



seed
The IoT Hardware Enabler

<https://www.seedstudio.com>

Grove AI HAT for Edge Computing

Draw By: Seed | Document Number: 02 M1/CAM/LCD/AD/Grove/MIC/ACC | Rev: v1.0
Date: Friday, April 26, 2019 | Sheet: 2 of 2